

MEDICAL GAS OUTLET - BRITISH STANDARD

DESCRIPTION

The CPX Terminal Units are designed and manufactured in the UK under BS EN 13485 Medical Devices: Quality Management Systems. The units comprise a first fix, second fix and second fix valve assembly.

The first fix is available with a \varnothing 12mm BS EN 13348 copper pipe for brazing to the fixed pipeline system or with a NIST BS EN 15908 (non-interchangeable-screw-thread) connector for connection to a hose assembly.

Terminal units are available for oxygen, nitrous oxide, 50% oxygen/50% nitrous oxide mixture, medical air, surgical air, medical vacuum and AGSS.

Mounting options include surface, flush, bedhead and pendant.

Test plugs are included with flush, surface and bedhead types for first fix pressure testing on site.

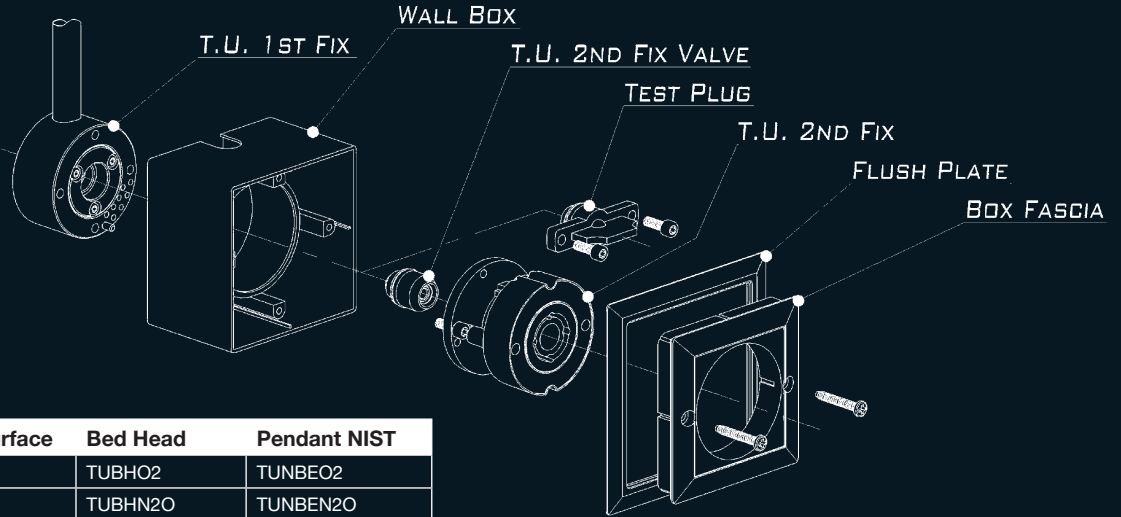
DESIGNED TO MEET THE REQUIREMENTS OF

- HTM 02-01 Medical Gas Pipeline Systems.
- BS EN 7396-1 Pipelines for Compressed Medical Gases and Vacuum.
- BS EN 7396-2 Anaesthetic Gas Scavenging Disposal Systems.
- BS EN 9170-1 Terminal Units for use with Compressed Medical Gases and Vacuum.
- BS EN 9170-2 Terminal Units for Anaesthetic Gas Scavenging Systems.
- C11 NHS Model Engineering Specification – Medical Gases.
- BS EN 15908 Non-interchangeable Screw Threaded (NIST) Low-pressure Connectors for Medical Gases.
- BS 5682 Specification for Probes (quick connectors) for Medical Gases.
- BS 6834 Active Anaesthetic Gas Scavenging Systems.
- Medical Device Directive 93/42/EEC (CE 0086).



MEDICAL GAS OUTLET - BRITISH STANDARD

EXPLODED VIEW



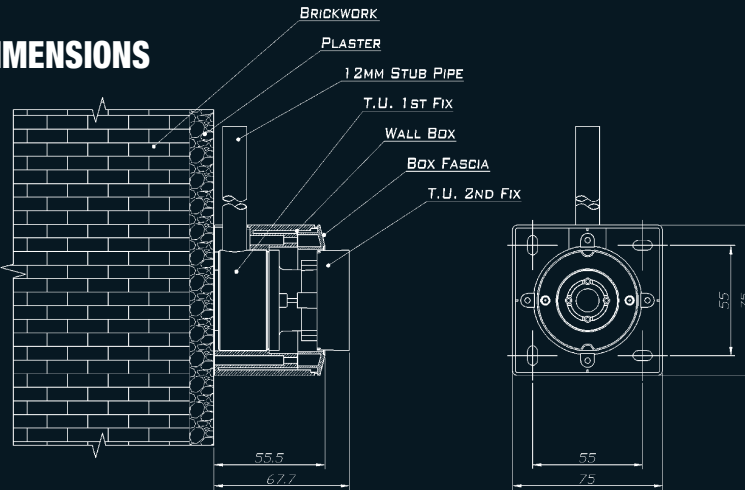
PART NUMBER

Gas Type	Flush/Surface	Bed Head	Pendant NIST
Oxygen	TUFO2	TUBHO2	TUNBEO2
Nitrous Oxide	TUFN2O	TUBHN2O	TUNBEN2O
Entonox	TUFO2N2O	TUBO2N2O	TUBEO2N2O
Medical Air 4 Bar	TUFMA4	TUBHMA4	TUNBEMA4
Surgical Air 7 Bar	TUFSA7	TUBHSA7	TUNBESA7
Vacuum	TUFVAC	TUBHVAC	TUNBEVAC
AGSS	TUFAGSS	TUBHAGSS	TUNBEAGSS

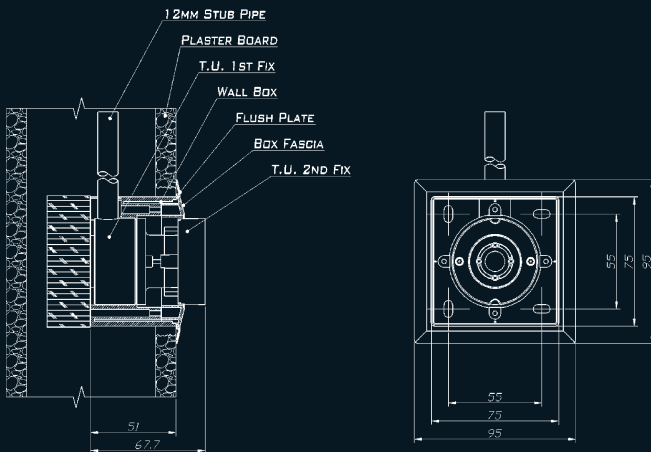
*Other gases available on request

INSTALLATION DIMENSIONS

SURFACE MOUNTING



FLUSH/STUD WALL MOUNTING



BED HEAD MOUNTING

